

# 5 heads Moving head

## USER MANUAL



**Please keep read this manual carefully for further use!**

Thank you for buying our professional Beam moving head.

This user manual includes important information for installation and operation, so please read this user manual carefully before installation and operation, and keep this user manual well for further use.

In order to install , operate, and maintain the lighting safety and correctly. We suggest that the installation and operation should be done by the verified technician and follow the instruction strictly.

## **Spare part includes:**

Name	QTY	Unit
Fixture	1	PC
User manual	1	PC
Power cable	1	PC
DMX Cable	1	PC
Mounting bracket	2	PCS

Please check carefully that there is no damage caused by transportation. Should there be any, consult your local dealer.

## **Cautions**

**Before delivery, this device has passed strict inspection, Please follow the user manual strictly for operation, if this fixture is damaged by improper operation and mistake, the fixture will be out of warranty, and manufacture or dealer won't be responsible for it. In case of any technology change in this manual,we won't advise in further .**

### **CAUTION!**



**Keep this device away from rain and moisture!**



**Unplug mains lead before opening the housing!**

### **Warning!**



**Damages caused by the disregard of this user manual are not subject to warranty. The dealer will not accept liability for any resulting defects or problems.**

## **Installation**



### **CAUTION!**

**Please consider the GB7000.15/EN60598-2-17 and the other respective national norms during The installation. The installation must only be carried out by a qualified person.**

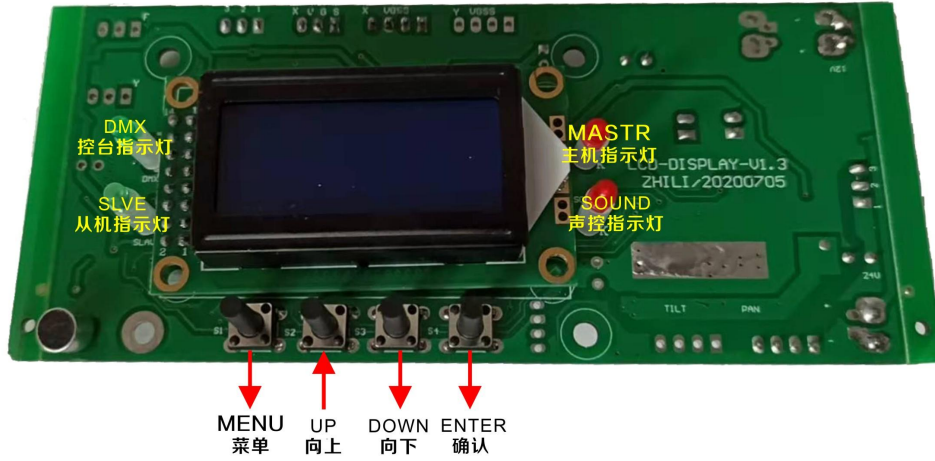
- ▶ This fixture is not suitable for direct installation on combustible material surface, please keep the fixture surface at least 0.5m from any combustible material.
- ▶ If you use the quick lock cam in hanging up the fixture, please make sure the quick lock fasteners turned in the quick lock holes correctly.
- ▶ The applicable temperature for the fixture is between -25°C to 45°C. Do not use the lighting under or above this temperature range.
- ▶ The truss for hanging the fixture should be able to hold 10 times weight of this fixture and no deformation after 1 hour hang.
- ▶ Please don't stand under the fixture when install, uninstall, move or repair the fixture.
- ▶ Please ensure the light is connected correctly and invite professional technician to check and confirm the electrical data before installation.
- ▶ Please invite professional technician to check the fixture and installation each year.

## **Product specification**

1. Voltage: 100-240V, 50/60HZ;
2. Power Consumption: 400W;
3. Light Source: 5\*40W RGBW LED + 6\*20W White LED
4. Average lifetime:50000hours; Color Temp: 8000K;
5. DMX Channel: 14/44 CH
6. Electrical dimming: 0%~100%; support strobe at various speeds, strobe color marco
7. Strobe: 25 Hz

# Display and operation

## Panel description:



## Display operation interface:

MENU	DMX Address	001-512
	Channel Mode	44CH 14CH
	Show Mode	DMX AUTO SOUND
	Sound Sense	000-100
	Pan Inverse	YES/NO
	Tilt Inverse1	YES/NO
	Tilt Inverse2	YES/NO
	Tilt Inverse3	YES/NO
	Tilt Inverse4	YES/NO
	Tilt Inverse5	YES/NO
	Back Light	ON/OFF
	Firmware Version	Axx Bxx
	Default	YES/NO
	Reset	YES/NO

## DMX CHANNEL TABLE

### 44CH Mode:

Channel	Function	Value	Description
1	Pan X	0-255	0~360 degree
2	Pan X infinite rotation	0-49	0-360°RT(speed from fast to slow) X axis speed enable 360 degree rotation
		50-152	clockwise infinite rotation (from fast to slow)
		153-255	Counterclockwise infinite rotation (from slow to fast)
3	Tilt Y1	0-255	0~180 degree
4	Tilt Y2	0-255	0~180 degree
5	Tilt Y3	0-255	0~180 degree
6	Tilt Y4	0-255	0~180 degree
7	Tilt Y5	0-255	0~180 degree
8	Dimming	0-255	from dark to bright
9	Strobe	0	No
		1-255	Strobe speed from slow to fast (1HZ~25HZ)
10 (running the built-in effect, this channel is the running color selection)	Running color	0-23	off
		24-47	Red
		48-71	Green
		72-95	Blue
		96-119	White
		120-143	R+G
		144-167	R+B
		168-191	G+B
		192-215	R+G+B
216-255	R+G+B+W		
10	Y1 Red	0-255	from dark to bright
11	Y1 Green	0-255	from dark to bright
12	Y1 Blue	0-255	from dark to bright
13	Y1 White	0-255	from dark to bright
14	Y2 Red	0-255	from dark to bright
15	Y2 Green	0-255	from dark to bright
16	Y2 Blue	0-255	from dark to bright
17	Y2 White	0-255	from dark to bright
18	Y3 Red	0-255	from dark to bright
19	Y3 Green	0-255	from dark to bright
20	Y3 Blue	0-255	from dark to bright
21	Y3 White	0-255	from dark to bright
22	Y4 Red	0-255	from dark to bright
23	Y4 Green	0-255	from dark to bright
24	Y4 Blue	0-255	from dark to bright
25	Y4 White	0-255	from dark to bright
26	Y5 Red	0-255	from dark to bright
27	Y5 Green	0-255	from dark to bright

28	Y5 Blue	0-255	from dark to bright
29	Y5 White	0-255	from dark to bright
30	Dimming	0-255	from dark to bright
31	Strobe	0	No
		1-255	Strobe speed from slow to fast (1HZ~25HZ)
32	White1	0-255	from dark to bright
33	White2	0-255	from dark to bright
34	White3	0	No
35	White4	1-255	Strobe speed from slow to fast (1HZ~25HZ)
36	White5	0-255	from dark to bright
37	White6	0-255	from dark to bright
38	Motor running		X/Y axis running method
		0 - 15	Standby
		16 - 35	Running 1
		36 - 55	Running 2
		56 - 75	Running 3
		76 - 95	Running 4
		96 - 115	Running 5
		116 - 135	Running 6
		136 - 155	Running 7
		156 - 175	Running 8
		176 - 195	Running 9
		196 - 215	Running 10
		216 - 235	Running 11
236 - 255	Running 12		
39	5pcs RGBW lighting effect	0-5	No
		6-20	Built-in 1
		21-34	Built-in 2
		35-48	Built-in 3
		49-62	Built-in 4
		63-76	Built-in 5
		77-90	Built-in 6
		91-104	Built-in 7
		105-118	Built-in 8
		119-132	Built-in 9
		133-146	Built-in 10
		147-160	Built-in 11
		161-174	Built-in 12
		175-188	Built-in 13
		189-202	Built-in 14
		203-216	Built-in 15
217-255	Built-in 16		
40	Background color	0-23	OFF
		24-47	Red
		48-71	Green
		72-95	Blue

		96-119	White
		120-143	R+G
		144-167	R+B
		168-191	G+B
		192-215	R+G+B
		216-255	R+G+B+W
41	5pcs RGBW lighting effect speed	0-255	from slow to fast
43	6 white light lighting effect	0-5	No
		6-34	Built-in 1
		35-63	Built-in 2
		64-92	Built-in 3
		93-121	Built-in 4
		122-150	Built-in 5
		151-179	Built-in 6
		180-208	Built-in 7
		209-237	Built-in 8
238-255	Built-in 9		
43	6 white light lighting effect speed	0-255	from slow to fast
44	Macro function	0-229	Light effect display, priority dimming
		230-240	reset within 3S.
		241-255	No function

## 14CH Mode:

Channel	Function	Value	Description
1	Pan X	0-255	0~360 degree
2	Pan X infinite rotation	0-49	0-360°RT(speed from fast to slow) X axis speed enable 360 degree rotation
		50-152	clockwise infinite rotation (from fast to slow)
		153-255	Counterclockwise infinite rotation (from slow to fast)
3	Tilt Y1-Y5	0-255	0~180degree
4	Dimming	0-255	from dark to bright
5	Strobe	0	No
		1-255	Strobe speed from slow to fast (1HZ~25HZ)
6 (running the built-in	Y1-Y5 Color	0-23	off
		24-47	Red

effect, this channel is the running color selection)		48-71	Green
		72-95	Blue
		96-119	White
		120-143	R+G
		144-167	R+B
		168-191	G+B
		192-215	R+G+B
		216-255	R+G+B+W
7	Y1-Y6 White	0-255	From dark to bright
8	Motor running		X/Y axis running method
		0 - 15	Standby
		16 - 35	Running 1
		36 - 55	Running 2
		56 - 75	Running 3
		76 - 95	Running 4
		96 - 115	Running 5
		116 - 135	Running 6
		136 - 155	Running 7
		156 - 175	Running 8
		176 - 195	Running 9
		196 - 215	Running 10
		216 - 235	Running 11
		236 - 255	Running 12
9	5pcs RGBW lighting effect	0-5	No
		6-20	Built-in 1
		21-34	Built-in 2
		35-48	Built-in 3
		49-62	Built-in 4
		63-76	Built-in 5
		77-90	Built-in 6
		91-104	Built-in 7
		105-118	Built-in 8
		119-132	Built-in 9
		133-146	Built-in 10
		147-160	Built-in 11
		161-174	Built-in 12
		175-188	Built-in 13
		189-202	Built-in 14
		203-216	Built-in 15
217-255	Built-in 16		
10	Background color	0-23	OFF
		24-47	Red
		48-71	Green
		72-95	Blue
		96-119	White
		120-143	R+G
		144-167	R+B



		168-191	G+B
		192-215	R+G+B
		216-255	R+G+B+W
11	5pcs RGBW lighting effect speed	0-255	from slow to fast
12	6 white light lighting effect	0-5	No
		6-34	Built-in 1
		35-63	Built-in 2
		64-92	Built-in 3
		93-121	Built-in 4
		122-150	Built-in 5
		151-179	Built-in 6
		180-208	Built-in 7
		209-237	Built-in 8
238-255	Built-in 9		
13	6 white light lighting effect speed	0-255	from slow to fast
14	Macro function	0-229	Light effect display, priority dimming
		230-240	reset within 3S.
		241-255	No function

## **DMX-512 connection**

Connect the provided XLR cable to the male 3-pin XLR output of your controller and the other side to the female 3-pin XLR input of the light. then connect the DMX signal to the first fixture to the 2<sup>nd</sup> fixture, after all fixtures are connected,

The signal cable should be two - core with screened cable with XLR input and output connectors. Please refer to the diagram below



## **DMX Address setting**

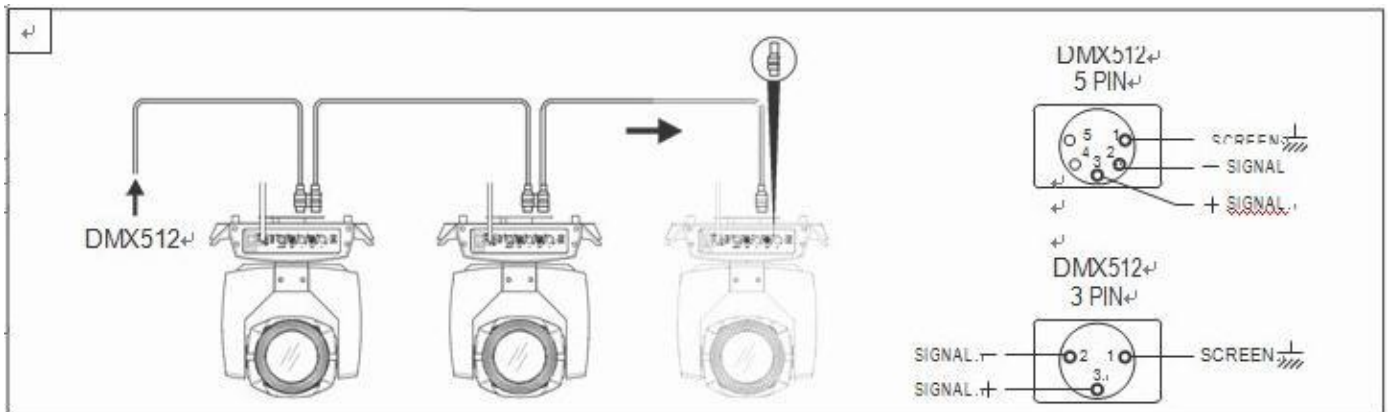
Each fixture must set a specific starting address. When receiving signal transmission, fixture will receive channel control signals which from the starting address.

According to different requirements or easy to use, the user can set many value fixtures to the same address, also can set up a separate address for every device.

If you set the same address, all the devices will receive from DMX channels signal. All connecting fixtures are jointly controlled, controller can't separate control a device.

If you set a different address, each device will be separate from its particular set the starting address and begin accepting DMX512 control signal, so that more convenient separate control one device. Using this method must be based on channel quantity of device to determine a starting address.

This light has 16 channels. you should set the starting address of the first unit to 1, the second unit to 15(1 + 14), the third unit to 29 (14\*2+ 1), and so on.



## Cleaning and maintenance

Cleaning should be performed every 15-day period, by using a sponge which is dipped with alcohol, rather than wet cloth or other chemical liquid, to clean the mirror.



### CAUTION

Cut off power before cleaning and maintenance!

## Attention

Do not see directly light source when open the light, and make sure power off before do any installation or maintenance.



### CAUTION!

Never look directly into the light source, as sensitive persons may suffer an epileptic shock.



### CAUTION

Wires connection must be done professional person!

## **Cautions**

Before delivery, this device has passed strict inspection, Please follow the user manual strictly for operation, if this fixture is damaged by improper operation and mistake, the fixture will be out of warranty, and manufacture or dealer won't be responsible for it. In case of any technology change in this manual,we won't advise in further

# **Warranty Card**

**This product is made of high-brightness transistor. We will provide 1 year warranty under the condition that user has operated the light normally and lifetime service. We won't provide warranty if the damage is caused by artificial or force majeure event. Cost of fittings should be charged by user if product need maintenance after 1 year .Please cut this warranty card and shipped it along with the product to our factory when applying for warranty.**

**Product:**

**Purchasing date:**

**Code of invoice:**

**Warranty date: From**

**To**

**User's name:**

**Add:**

**Company:**

**Tel:**